

Expandable Span

Ophelie Tousignant

Min Young Jeong

#48105_p2 #48125_a5

Span Project Shop Drawing

Carnegie Mellon University

School of Architecture

Contents

A-Elevation & Aerials

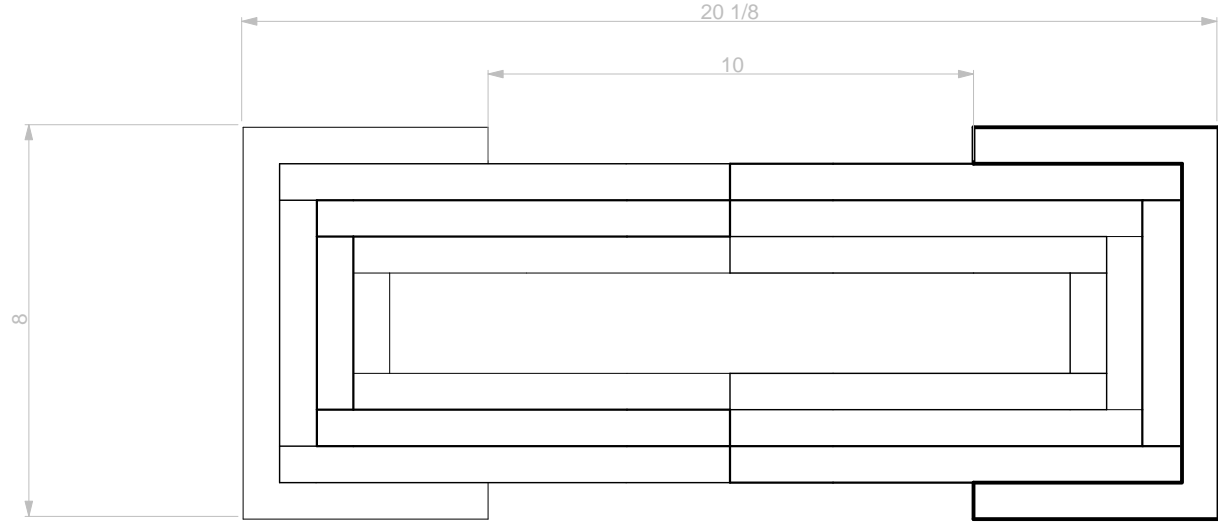
B-Sections & Details

C-3D Paralines

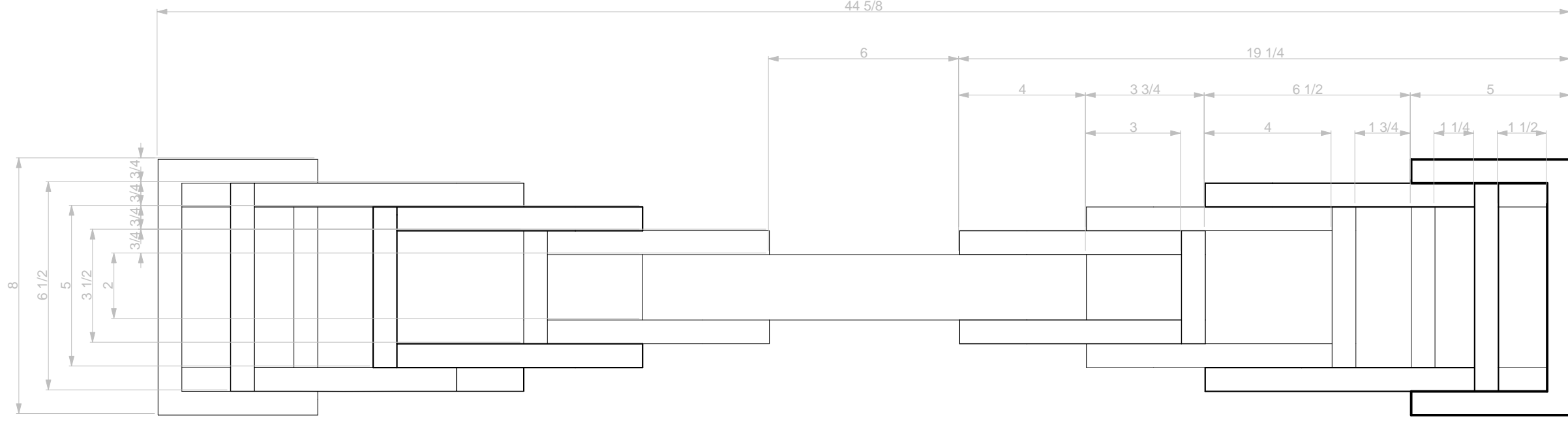
D-Diagrams

E-Material List

F-Cut Diagram



compressed



Expanded

Plan

19.02.1996
Scale
For Review

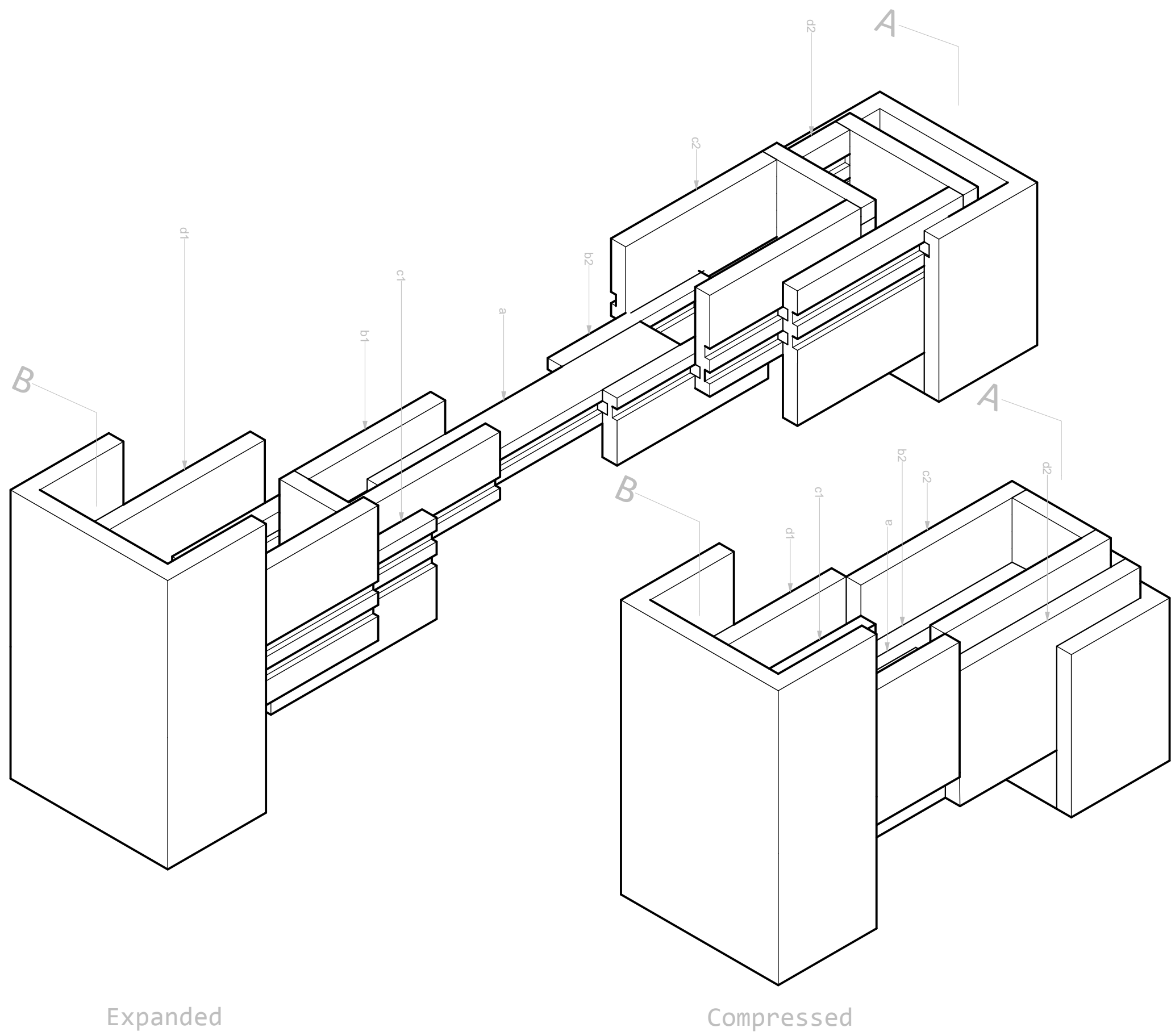
Expandable Span

Ophelie Tousignant
Min Young Jeong
Drawn by OT

#48105_p2 #48125_a5

Span Project Shop Drawing
Carnegie Mellon University
School of Architecture

A01



Expanded

Compressed

Axon expanded + compressed

Expandable Span

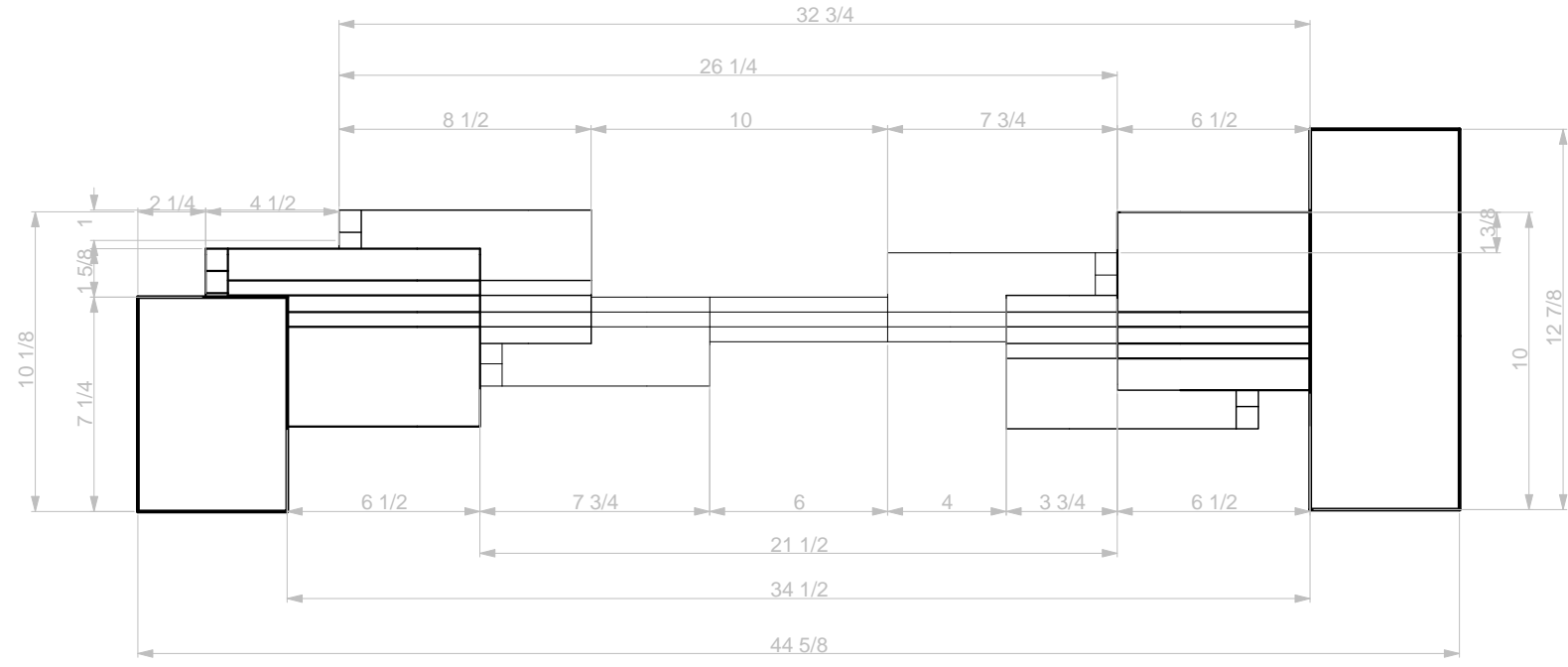
#48105_p2 #48125_a5

19.02.1996
Scale
For Review

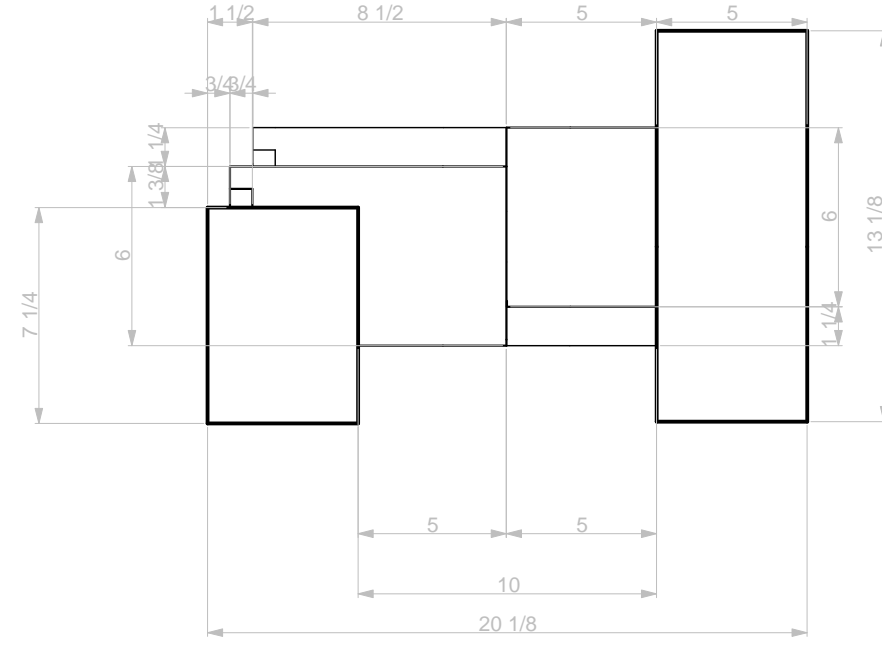
A02

Ophelie Tousignant
Min Young Jeong
Drawn by MYJ

Span Project Shop Drawing
Carnegie Mellon University
School of Architecture



Expanded



Compressed

Elevation

19.02.1996
Scale
For Review

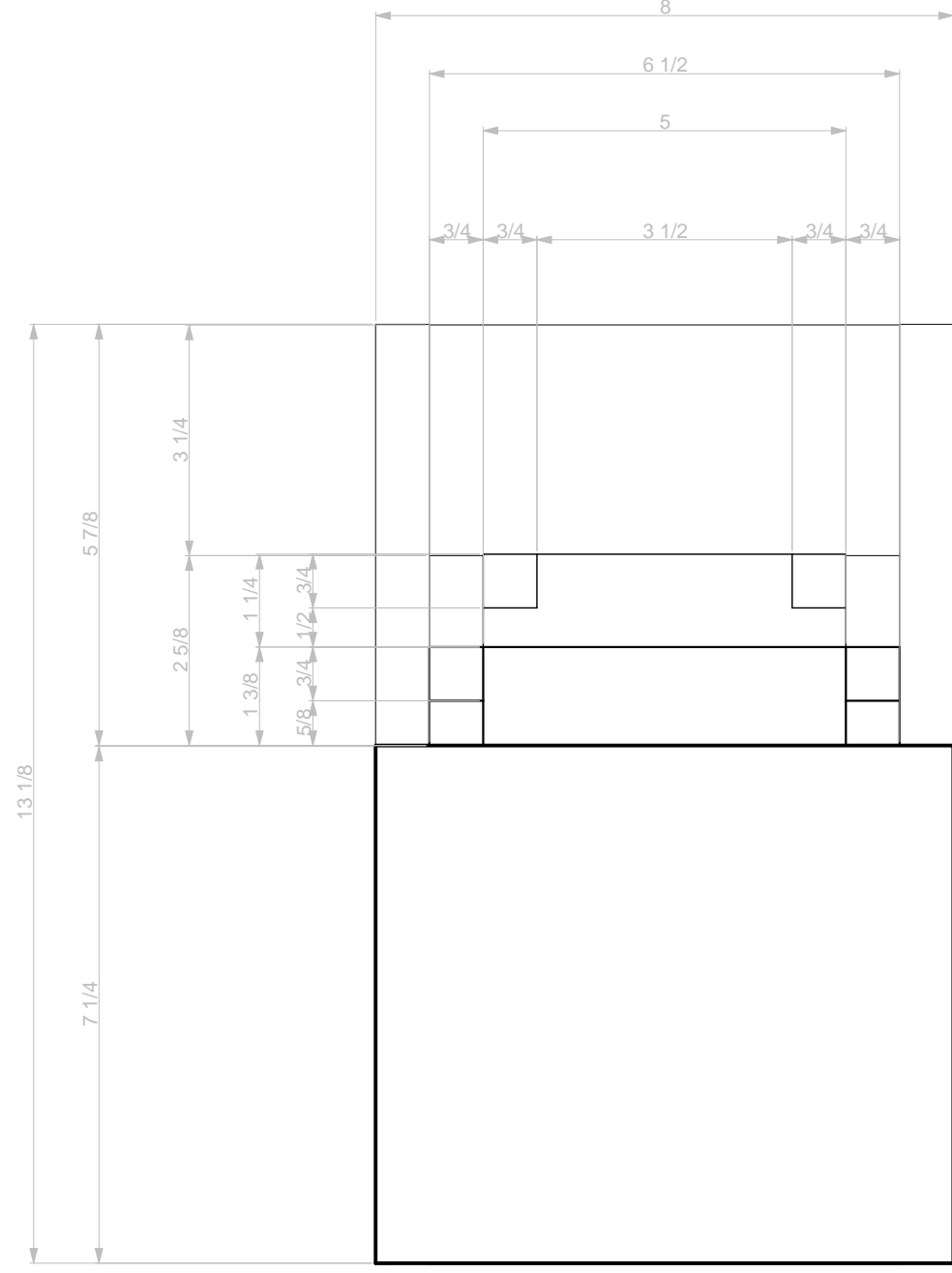
A03

Expandable Span

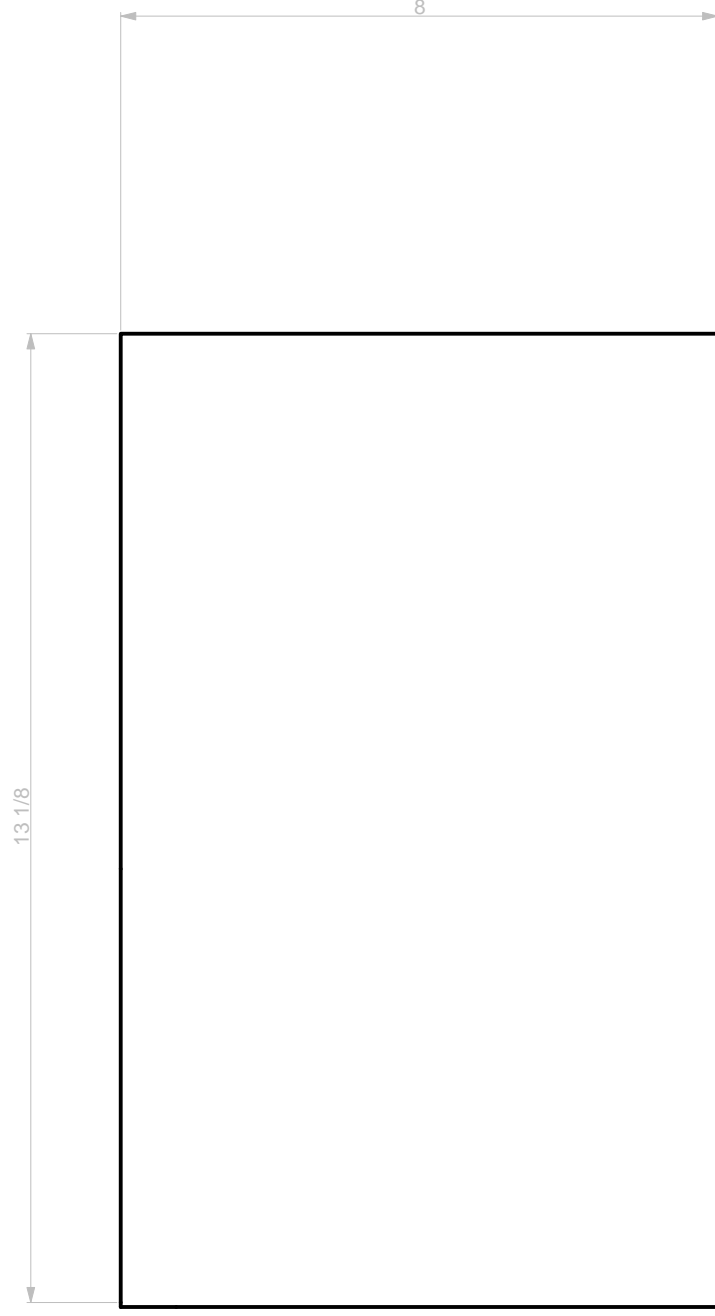
Ophelie Tousignant
Min Young Jeong
Drawn by OT

#48105_p2 #48125_a5

Span Project Shop Drawing
Carnegie Mellon University
School of Architecture



view from A



view from B

Elevation 2

Expandable Span

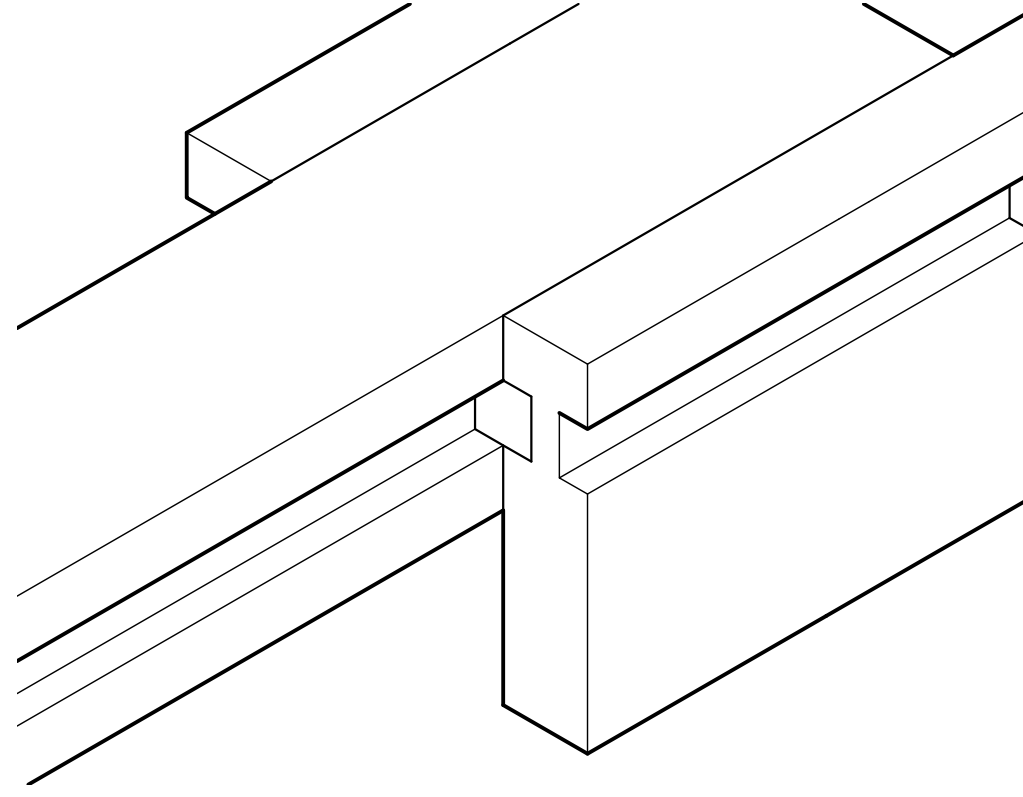
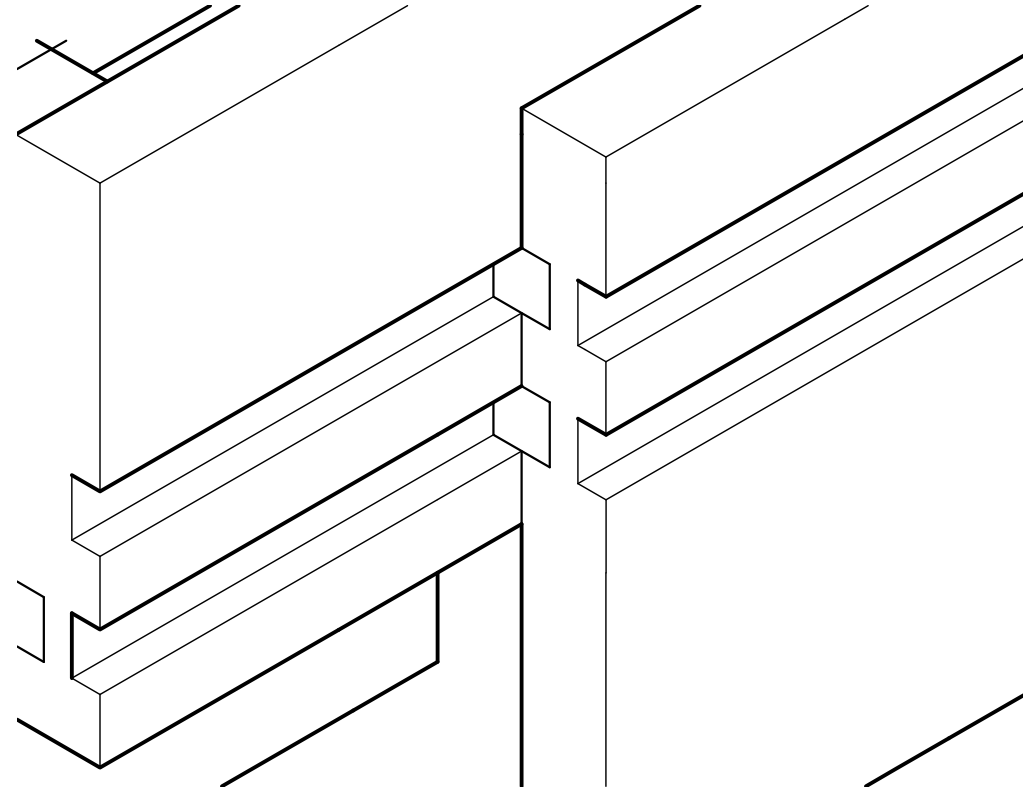
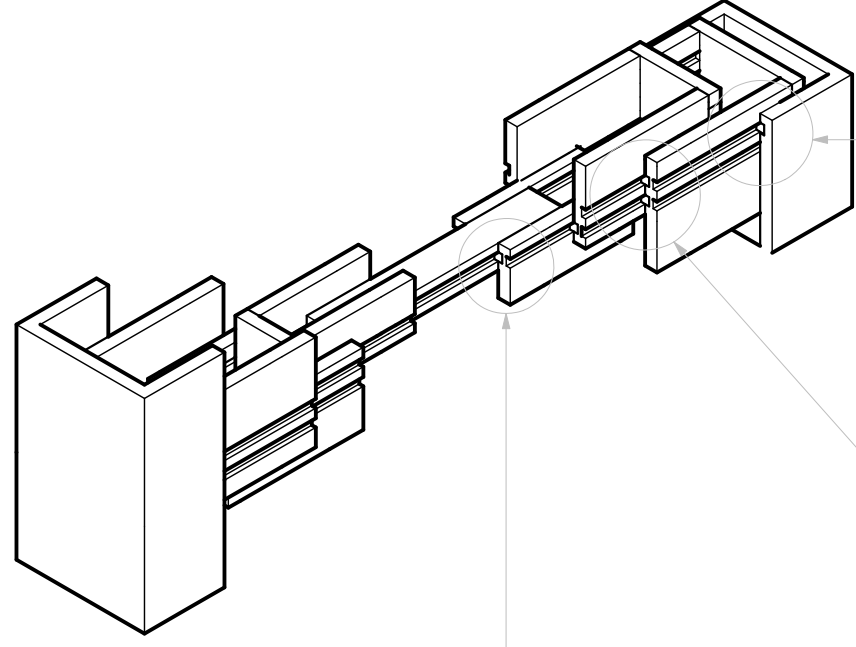
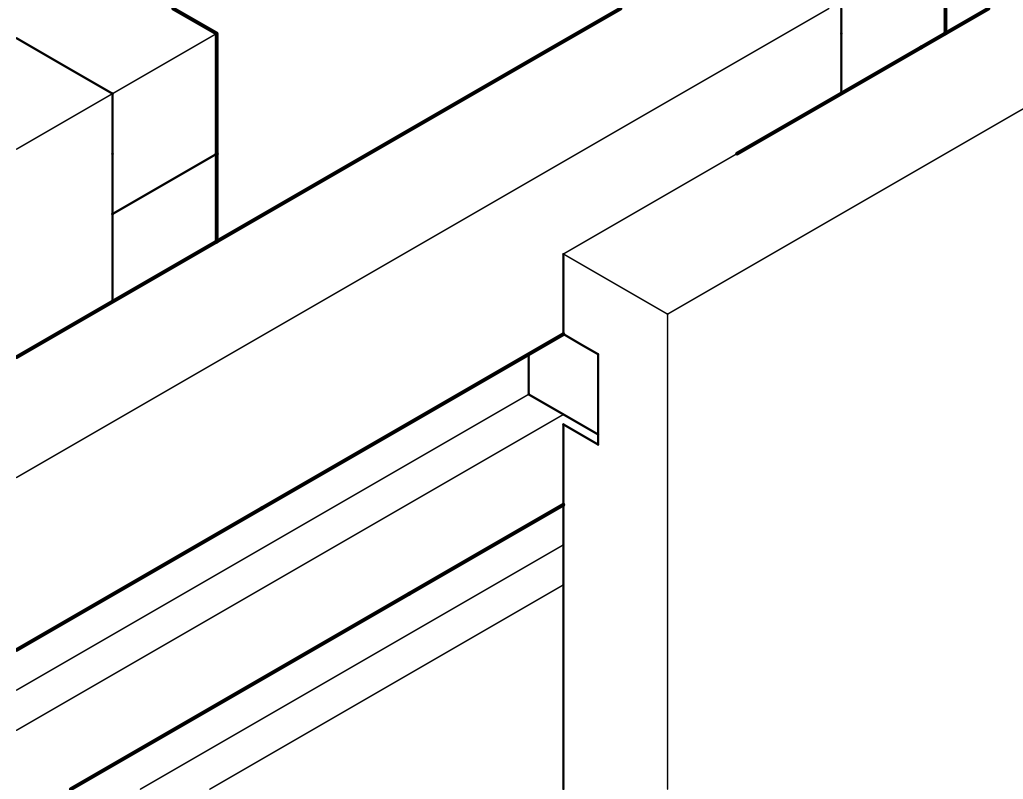
#48105_p2 #48125_a5

19.02.1996
Scale
For Review

Ophelie Tousignant
Min Young Jeong
Drawn by OT

A04

Span Project Shop Drawing
Carnegie Mellon University
School of Architecture



Joinery Detail

19.02.1996
Scale
For Review

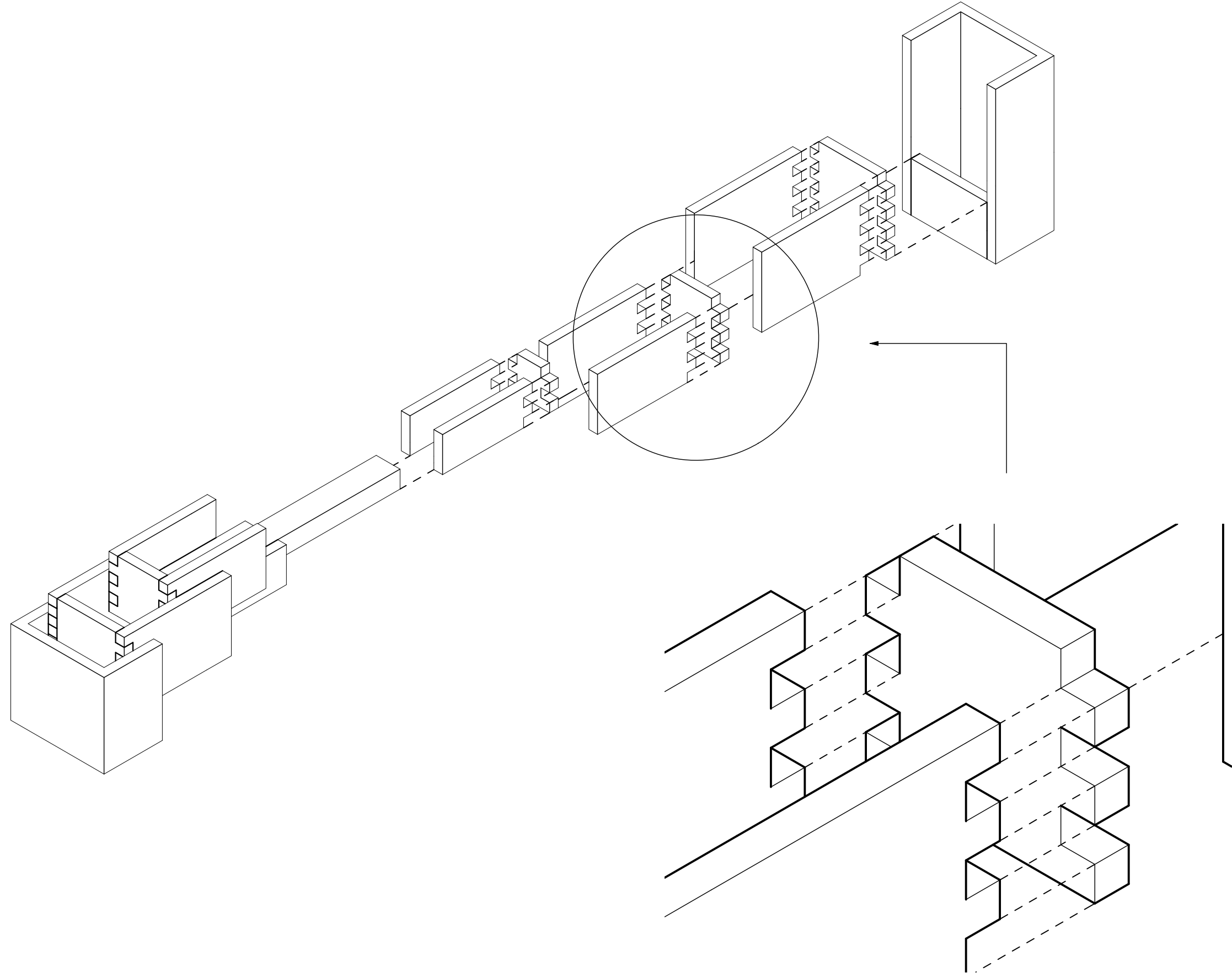
B01

Expandable Span

Ophelie Tousignant
Min Young Jeong
Drawn by MYJ

#48105_p2 #48125_a5

Span Project Shop Drawing
Carnegie Mellon University
School of Architecture



Sliding Joinery

Expandable Span

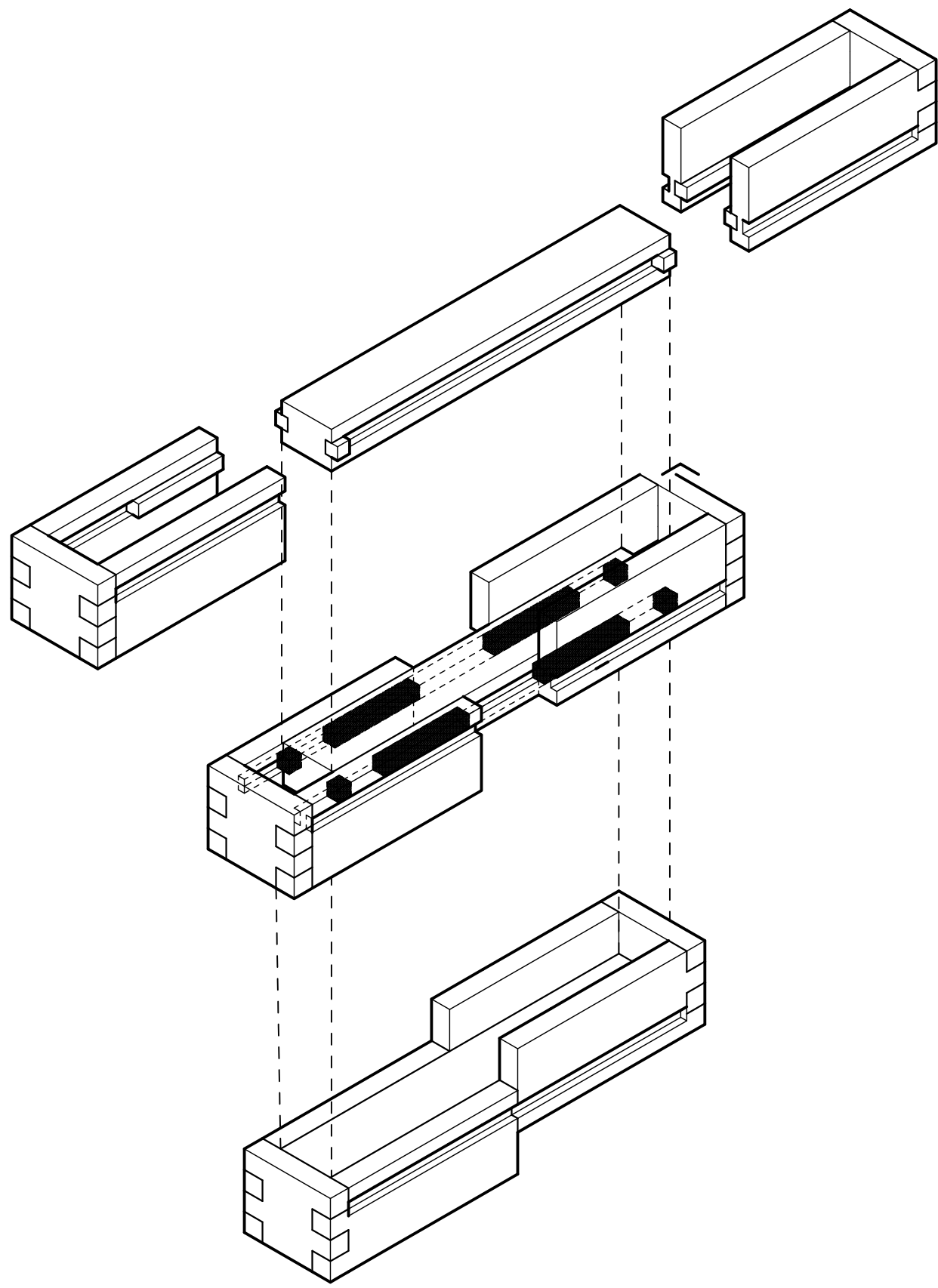
19.02.1996
Scale
For Review

C01

Ophelie Tousignant
Min Young Jeong
Drawn by MYJ

#48105_p2 #48125_a5

Span Project Shop Drawing
Carnegie Mellon University
School of Architecture



Sliding Joinery

Expandable Span

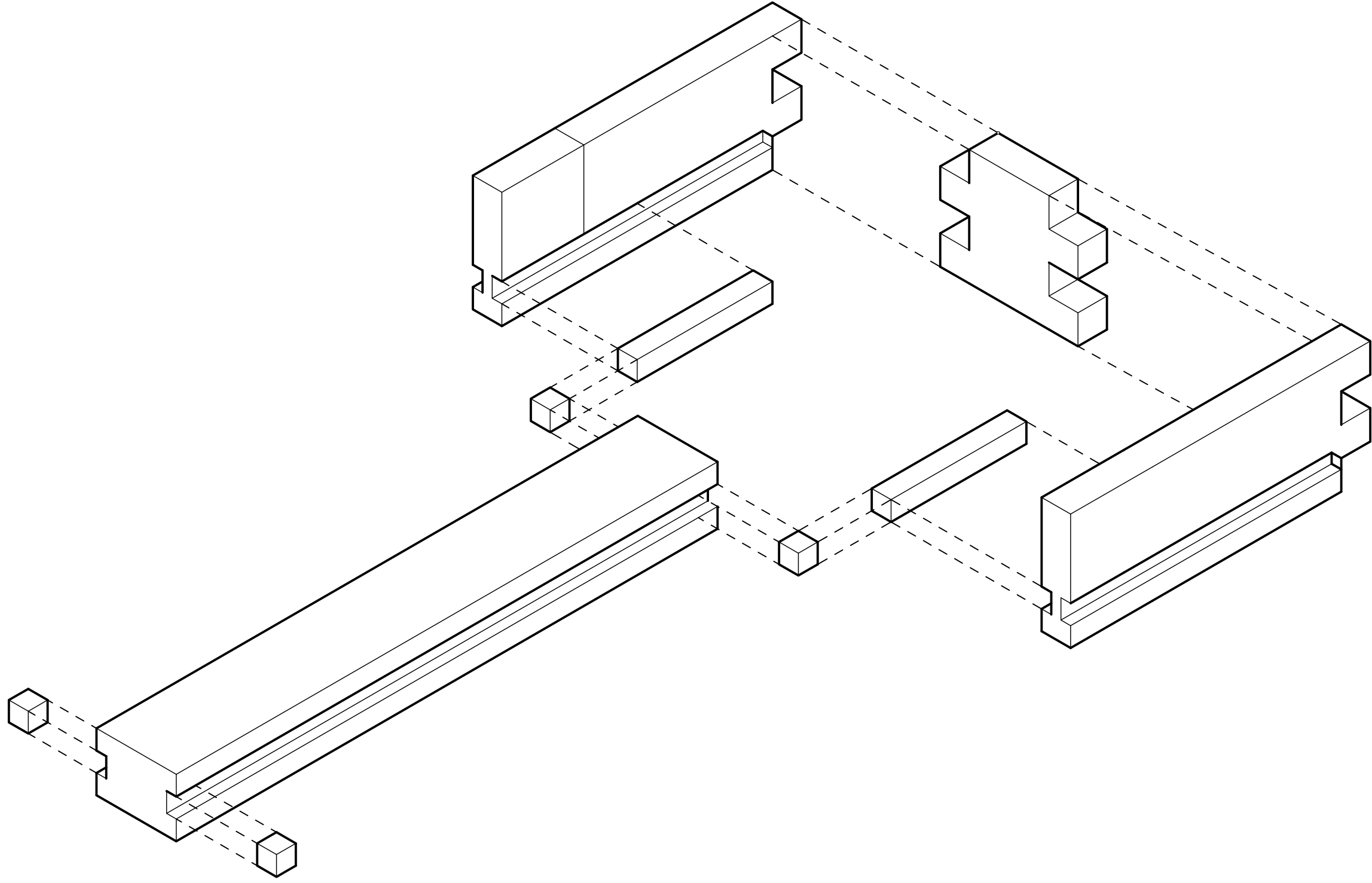
#48105_p2 #48125_a5

19.02.1996
Scale
For Review

Ophelie Tousignant
Min Young Jeong
Drawn by MYJ

C02

Span Project Shop Drawing
Carnegie Mellon University
School of Architecture



a-b2 Stopping Joinery

Expandable Span

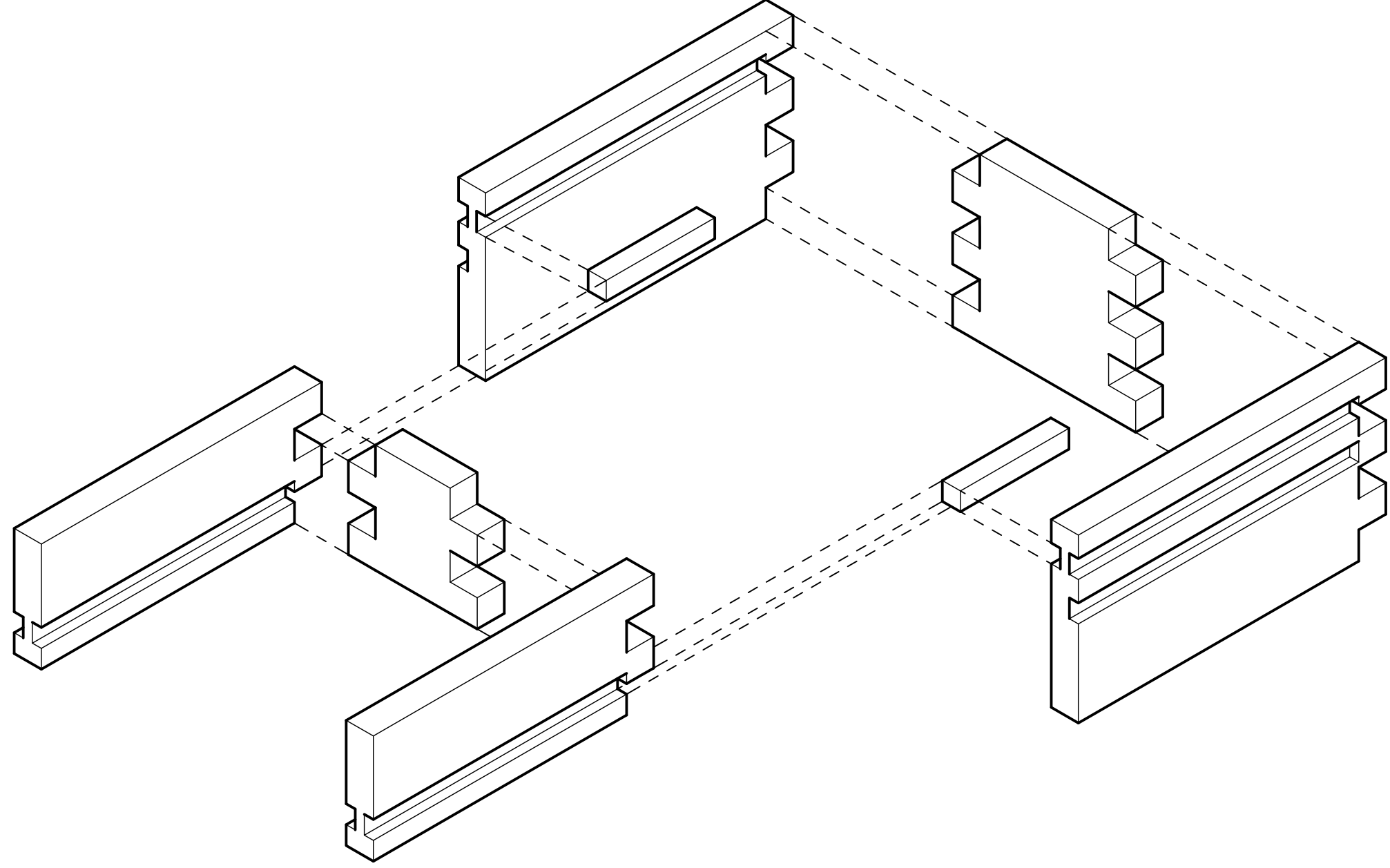
#48105_p2 #48125_a5

19.02.1996
Scale
For Review

C03

Ophelie Tousignant
Min Young Jeong
Drawn by MYJ

Span Project Shop Drawing
Carnegie Mellon University
School of Architecture



b2-c3 Joinery

19.02.1996
Scale
For Review

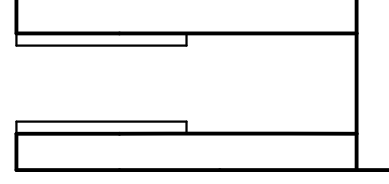
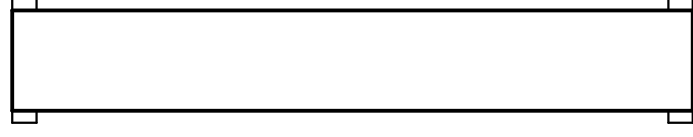
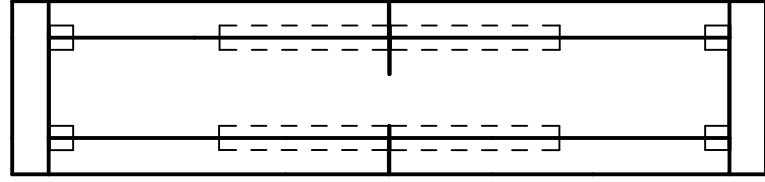
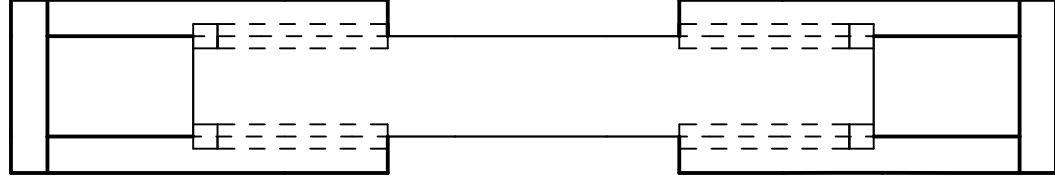
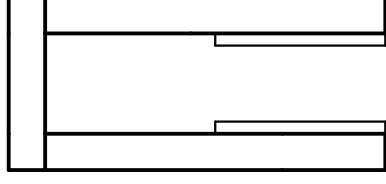
C04

Expandable Span

Ophelie Tousignant
Min Young Jeong
Drawn by MYJ

#48105_p2 #48125_a5

Span Project Shop Drawing
Carnegie Mellon University
School of Architecture



stopping point diagram

Expandable Span


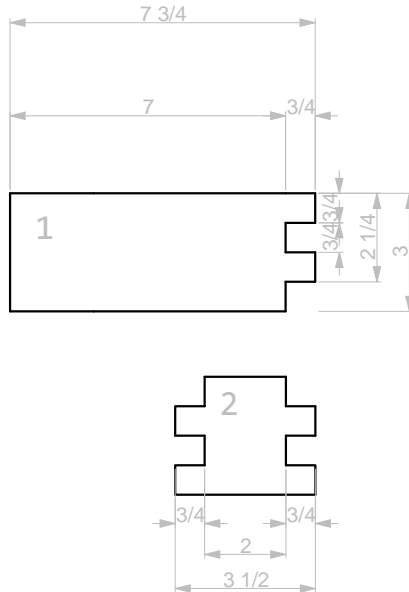
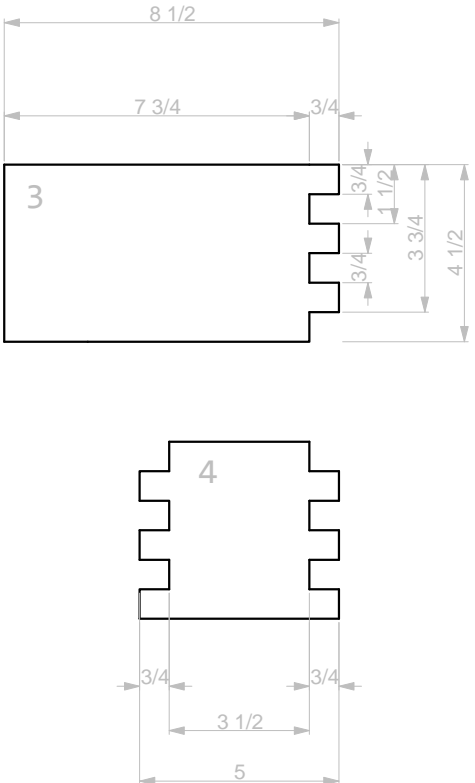
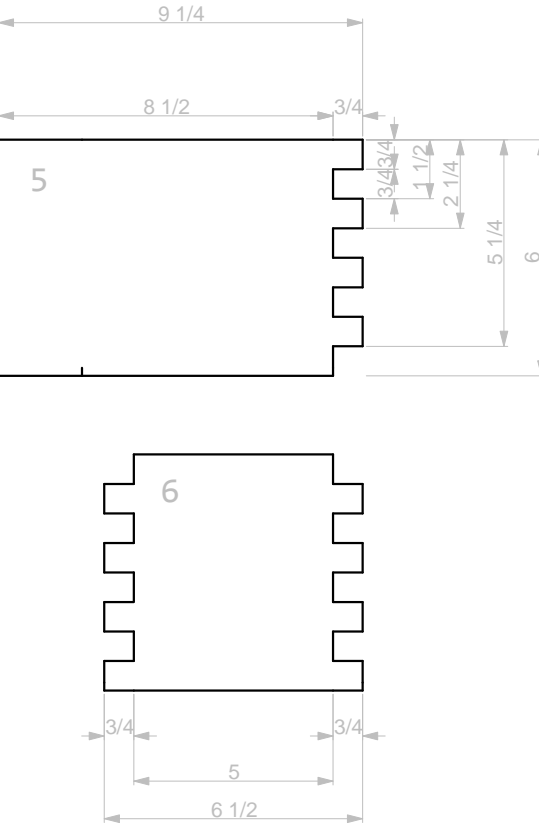
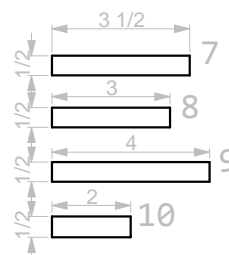
#48105_p2 #48125_a5

19.02.1996
Scale
For Review

Ophelie Tousignant
Min Young Jeong
Drawn by MYJ

D01

Span Project Shop Drawing
Carnegie Mellon University
School of Architecture

<p>Item part: a</p> <p># of pieces: 1 dimension: 1 1/2 x 2 x 14</p>	
<p>Item part: b1 + b2</p> <p># of 1 : 4 # of 2 : 2 Thickness: 3/4"</p>	
<p>Item part: c1 + c2</p> <p># of 3 : 4 # of 4 : 2 Thickness: 3/4"</p>	
<p>Item part: d1 + d2</p> <p># of 5 : 4 # of 6 : 2 Thickness: 3/4"</p>	
<p>Connectors</p> <p># of 7 : 4 # of 8 : 4 # of 9 : 8 # of 10 : 6</p>	

Number of Item Pieces

Expandable Span

#48105_p2 #48125_a5

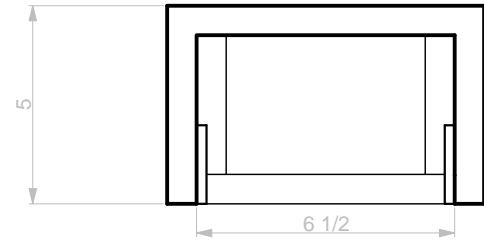
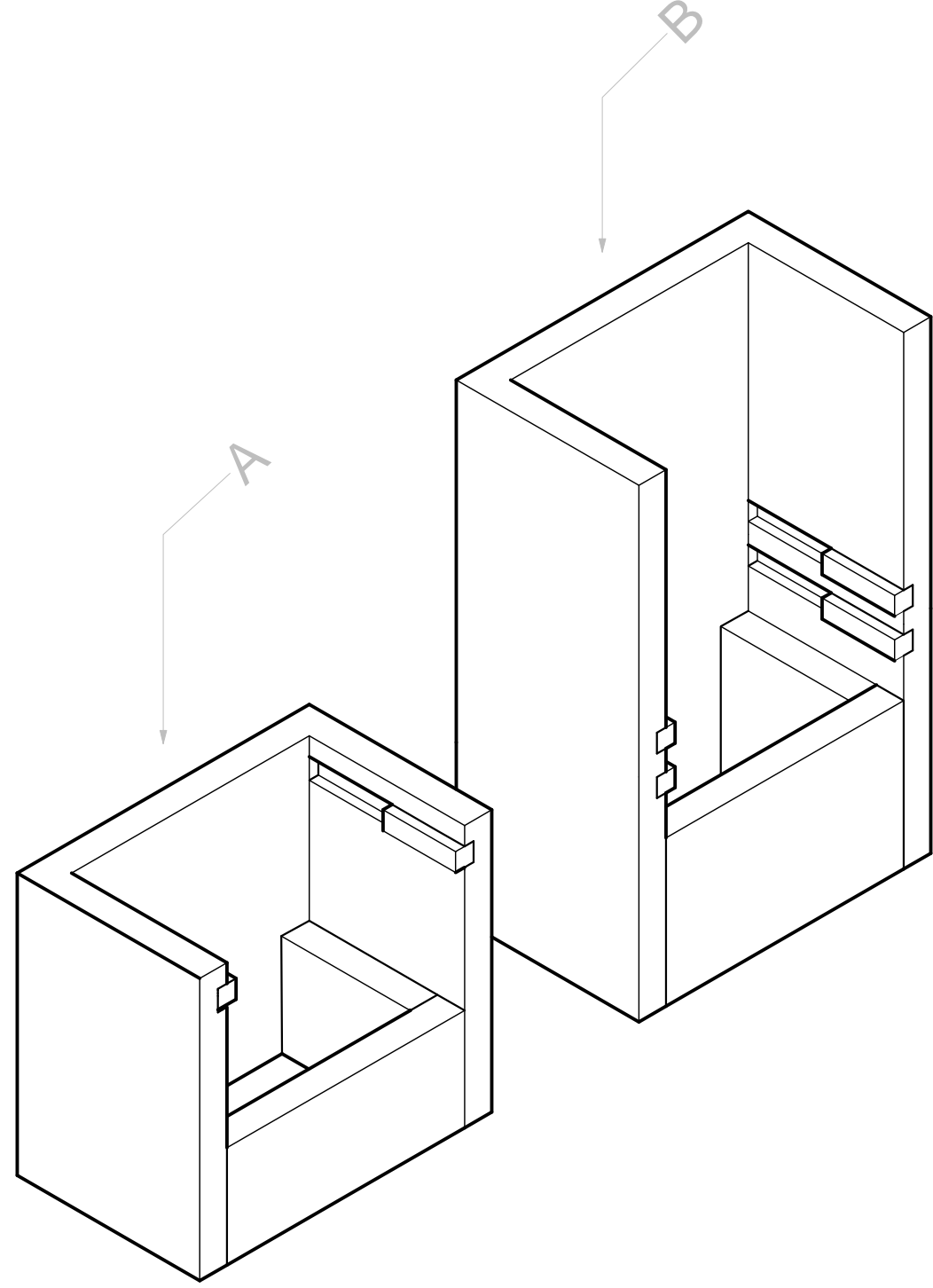
19.02.1996
Scale
For Review

E01

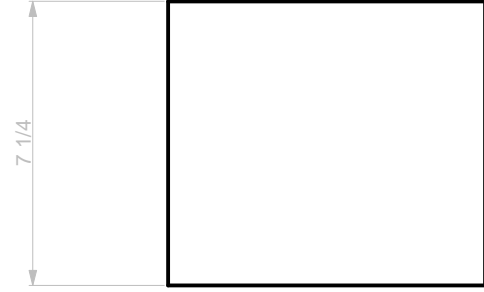
Ophelie Tousignant
Min Young Jeong
Drawn by MYJ

Span Project Shop Drawing
Carnegie Mellon University
School of Architecture

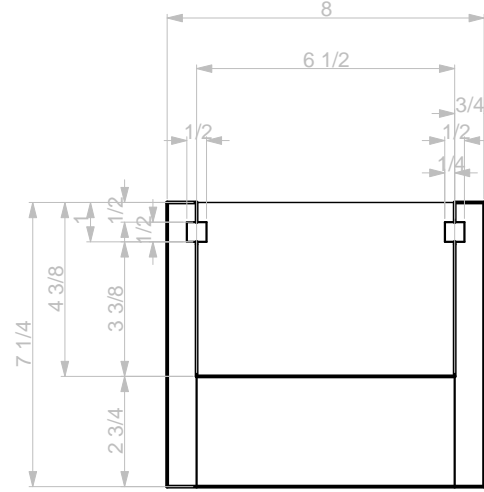
Isometric View



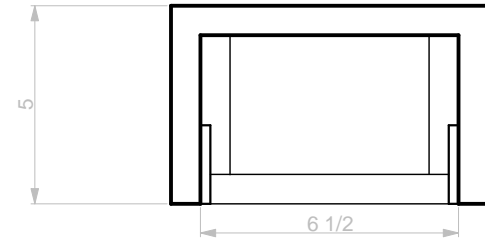
Plan A



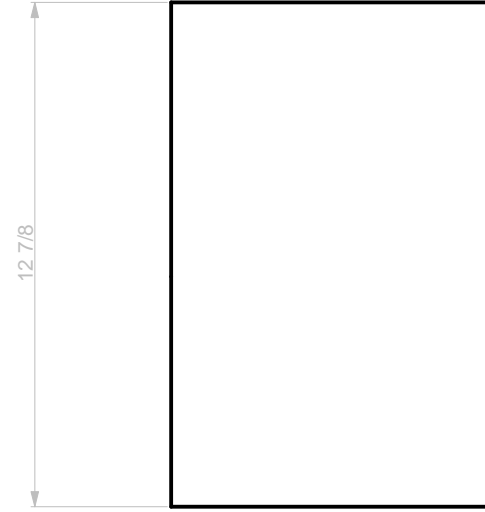
Elevation A1



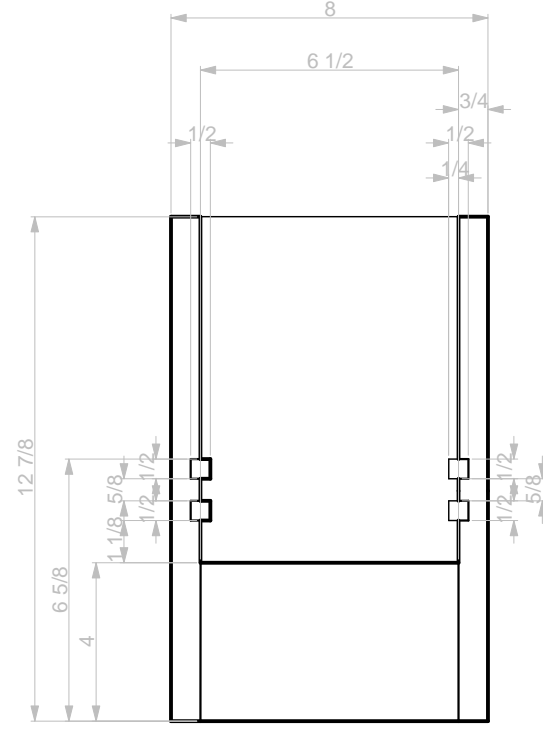
Elevation A2



Plan B



Elevation B1



Elevation B2

Base Detail

19.02.1996
Scale
For Review

E02

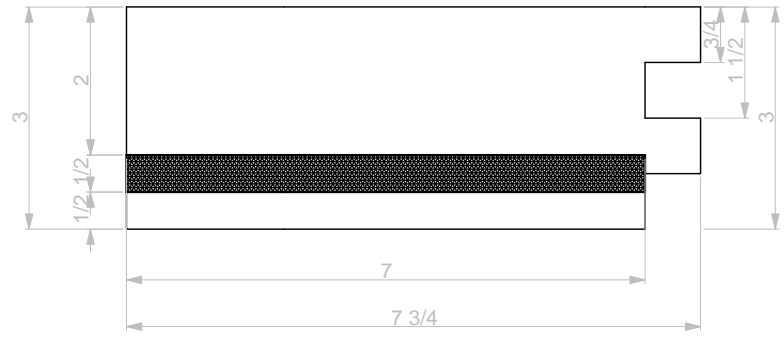
Expandable Span

Ophelie Tousignant
Min Young Jeong
Drawn by MYJ

#48105_p2 #48125_a5

Span Project Shop Drawing
Carnegie Mellon University
School of Architecture

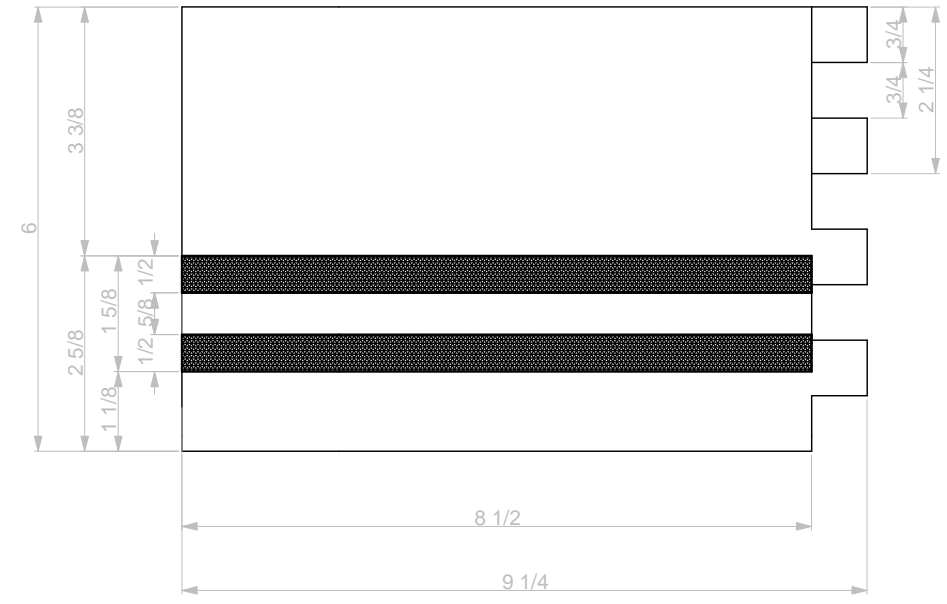
b outside



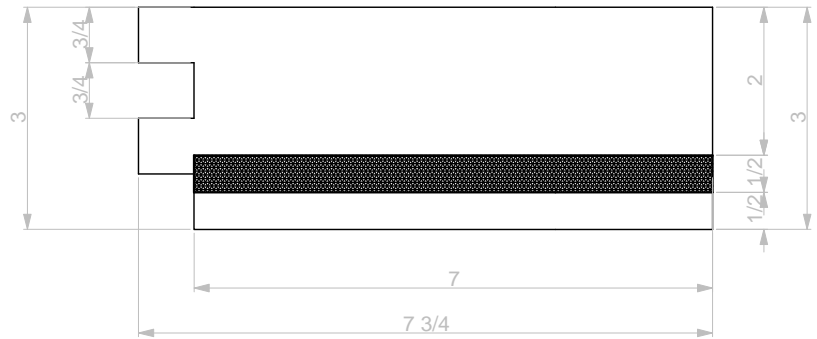
c outside



d outside



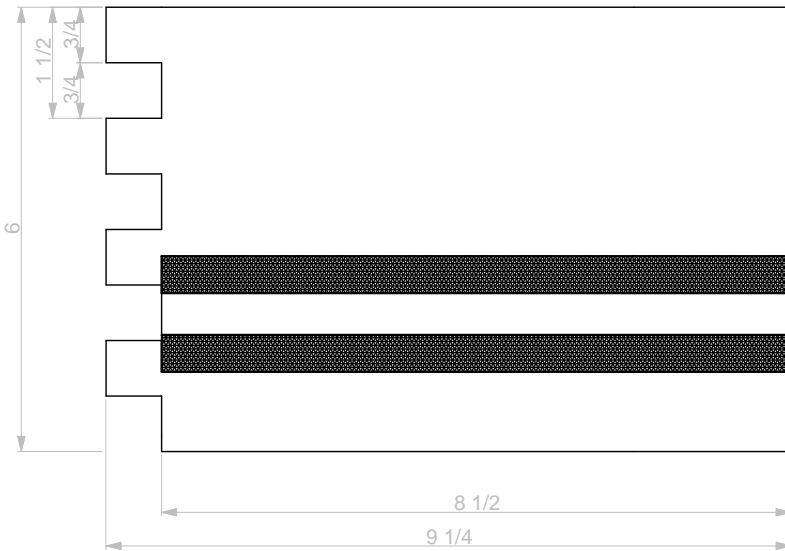
b inside



c inside



d inside



Milling depth = 1/4"

Milling Pieces

Expandable Span

#48105_p2 #48125_a5

19.02.1996
Scale
For Review

F02

Ophelie Tousignant
Min Young Jeong
Drawn by MYJ

Span Project Shop Drawing
Carnegie Mellon University
School of Architecture